

Sillites[®] SCR Rough-In Wiring Instructions

The Sillites SCR is a self-contained receptacle and needs no additional junction box. Besides windows it can also be used in mantels, cabinets and other wood surfaces. Add the accessory floor ring #FR to use the SCR in floors.

The SCR drops into a 1-3/4" hole and can be wired with 12/2 or 14/2 NMS cable (Romex) in an "end of run" or in a dasy-chain" configuration.



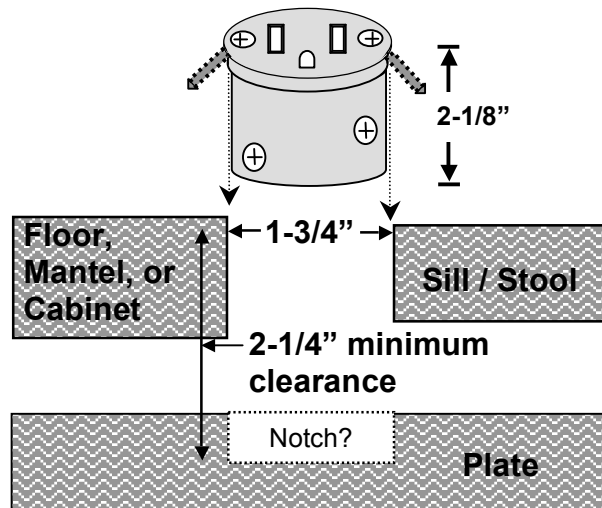
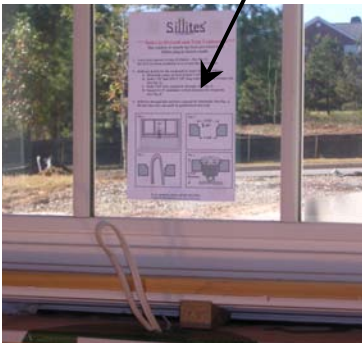
Single Wire Section
12/2 or 14/2



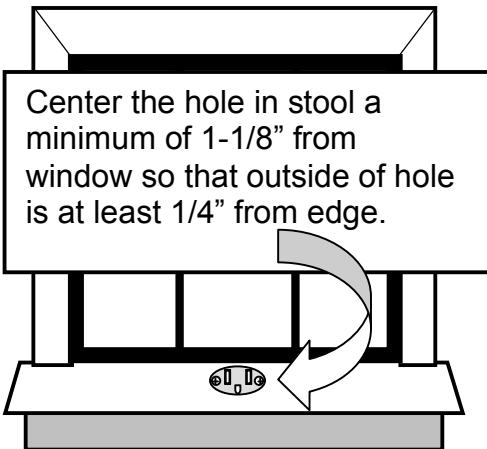
Two Wire Sections
12/2 or 14/2

Leave a "Pre-Wire Sticker" at each location for the trim carpenter.

The mounting surface is prepared with a 1-3/4" hole:



Center the hole in stool a minimum of 1-1/8" from window so that outside of hole is at least 1/4" from edge.



In 2x4 stud walls, a wider stool can be used with crown molding to create a cavity for the SCR and wire.

